

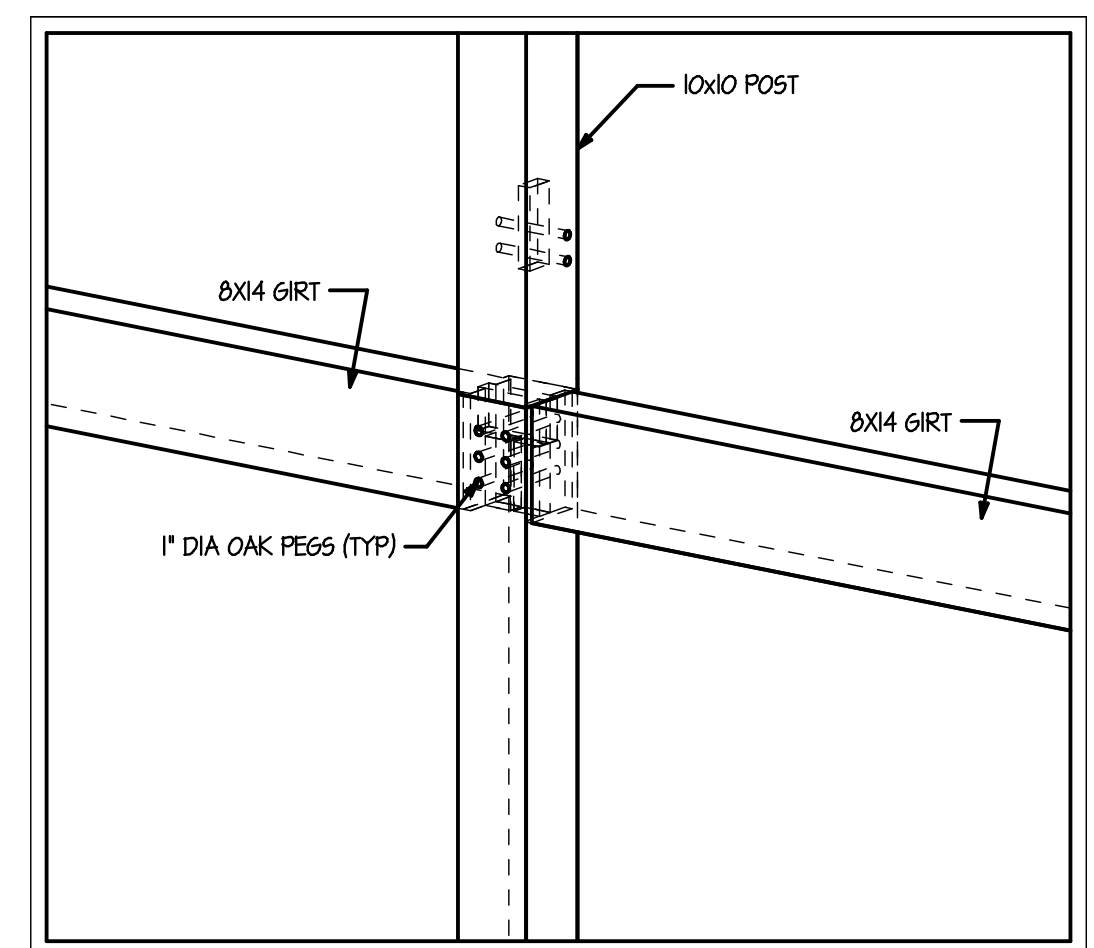
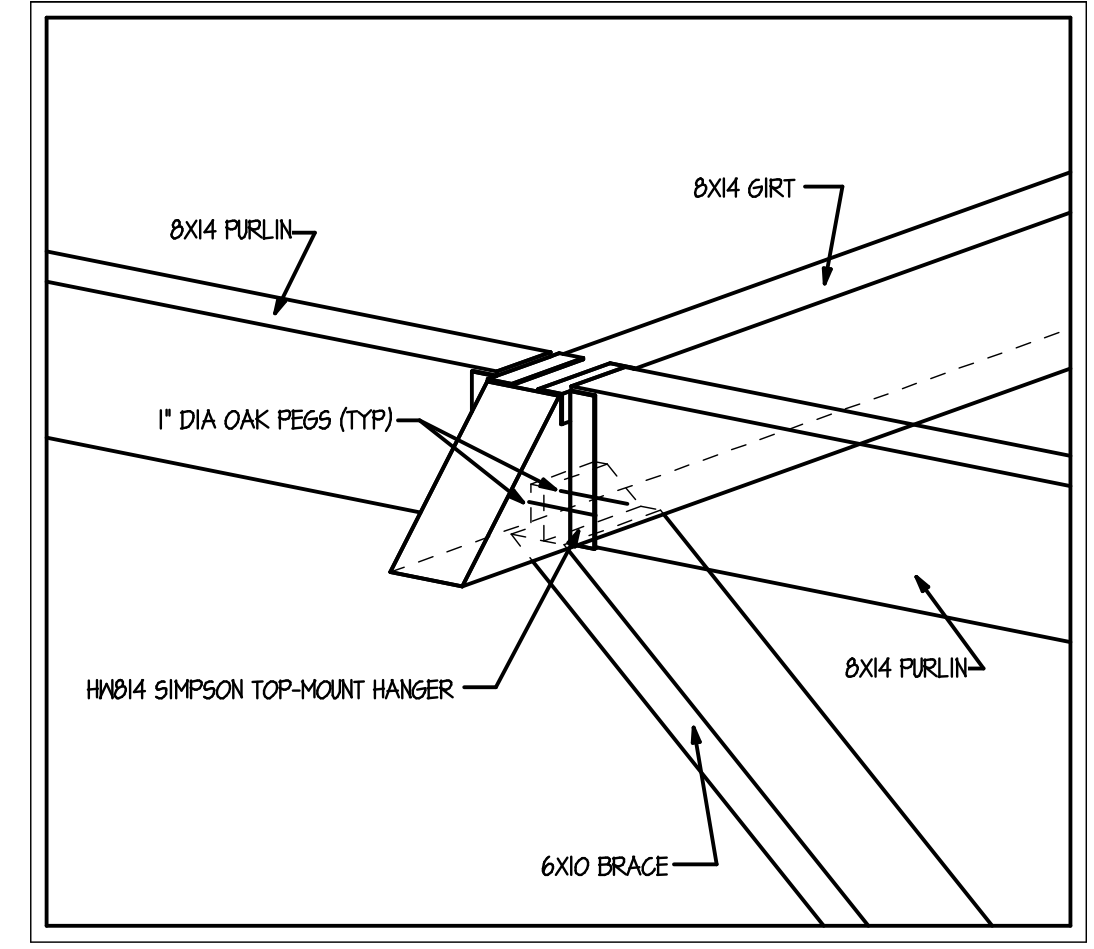
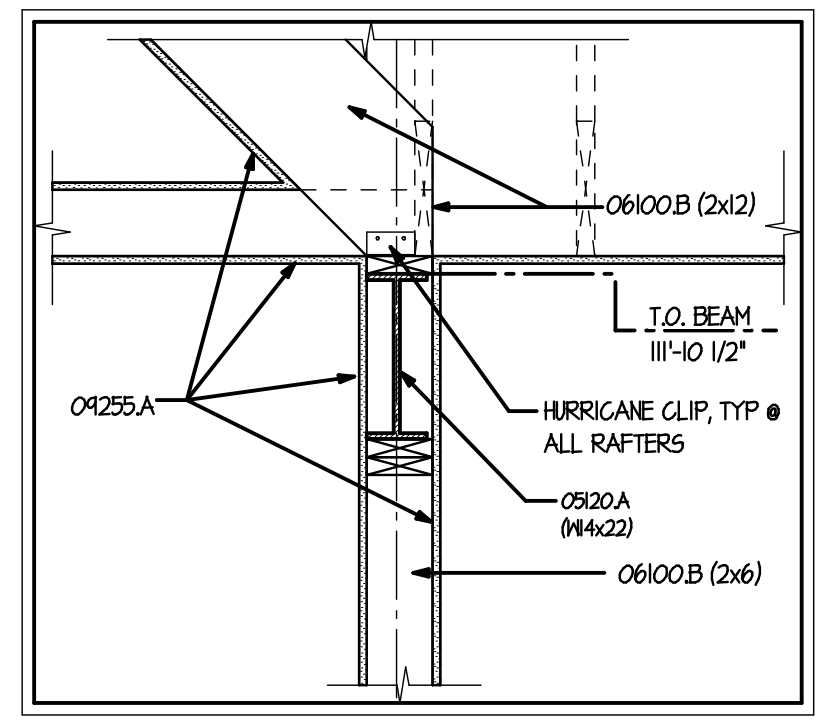
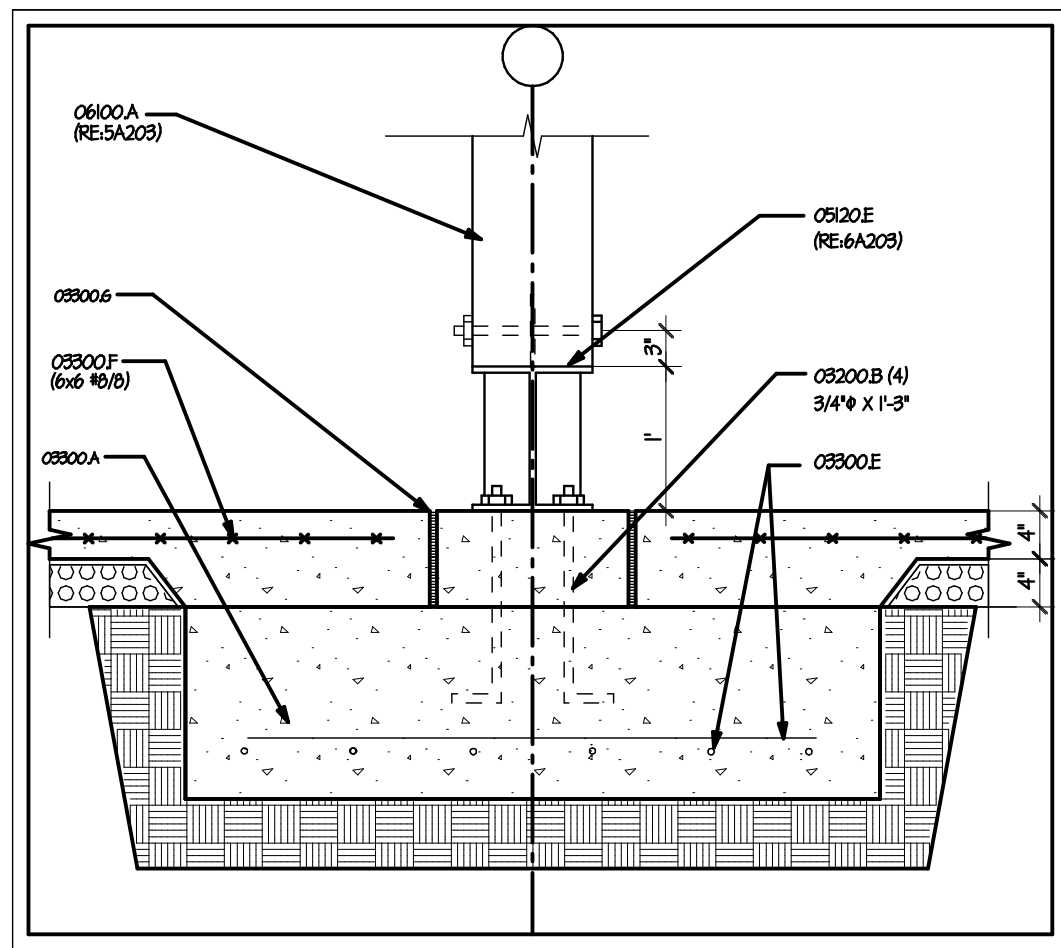
HANGER/FASTENER SCHEDULE

ITEM #	QUANTITY	TOTAL - 10d	TOTAL - 16d
HN014	16	100	
HUB14	6		225
HN014OSL (OFFSET LEFT)	6	40	
HN014OSR (OFFSET RIGHT)	6	40	
HGLTY-SPECIAL (M=9-9/16", H=15")	16		400
HGUS-SPECIAL (M=9-9/16", H=14")	2	25	
A44	32	215	
A23	32	215	

SPECIAL ATTACHMENT NOTES
READ BEFORE ERECTING HOUSE

- FIELD LOCATE & DRILL HOLES IN POSTS FOR BRACKETING TO SLAB OR PIERS.
- ATTACH ALL MORTISE & TENON JOINERY W/ 1" DIA. PEGS.
- ALL TIMBERFRAME TENONS ARE 2" WIDE, DEPTH DEPENDS ON THE SIZE OF MORTISED TIMBER.
- ATTACH 0x14 PURLIN TO 0x14 GIRTS WITH A BLACK SIMPSON HN014 TOP FLANGE HANGER (SEE SECTIONS)
- ATTACH 0x14 PURLIN TO MASONRY WALL WITH A SIMPSON HUB14 FACE MOUNT HANGER (SEE SECTIONS)
- ATTACH 0x14 PLATES TO 0x10 GIRTS @ BENTS 1, 2, & 3 WITH A BLACK SIMPSON HN014OSL OR HN014OSR TOP FLANGE HANGERS
- ATTACHMENT OF 2x12 RAFTERS TO FRAME ARE THE RESPONSIBILITY OF THE OWNER/CONTRACTOR.
- ATTACH 10x16 PURLIN FROM 0x16 GIRTS WITH A BLACK SIMPSON HGLTY-SPECIAL TOP FLANGE HANGER (SEE SECTIONS)
- ATTACH 10x16 PURLIN TO MASONRY WALL WITH A SIMPSON HGUS-SPECIAL FACE MOUNT HANGER (SEE SECTIONS)
- ATTACH 4x12 OAK RAFTERS TO 0x14 PURLIN W/ SIMPSON A44 PLATE AT THE TOP PURLIN & SIMPSON A23 AT BOTTOM PURLIN

- PRODUCTION NOTES:
- TIMBER FRAME-OAK MATERIAL
 - PLANED & CHAMFER ALL MATERIAL

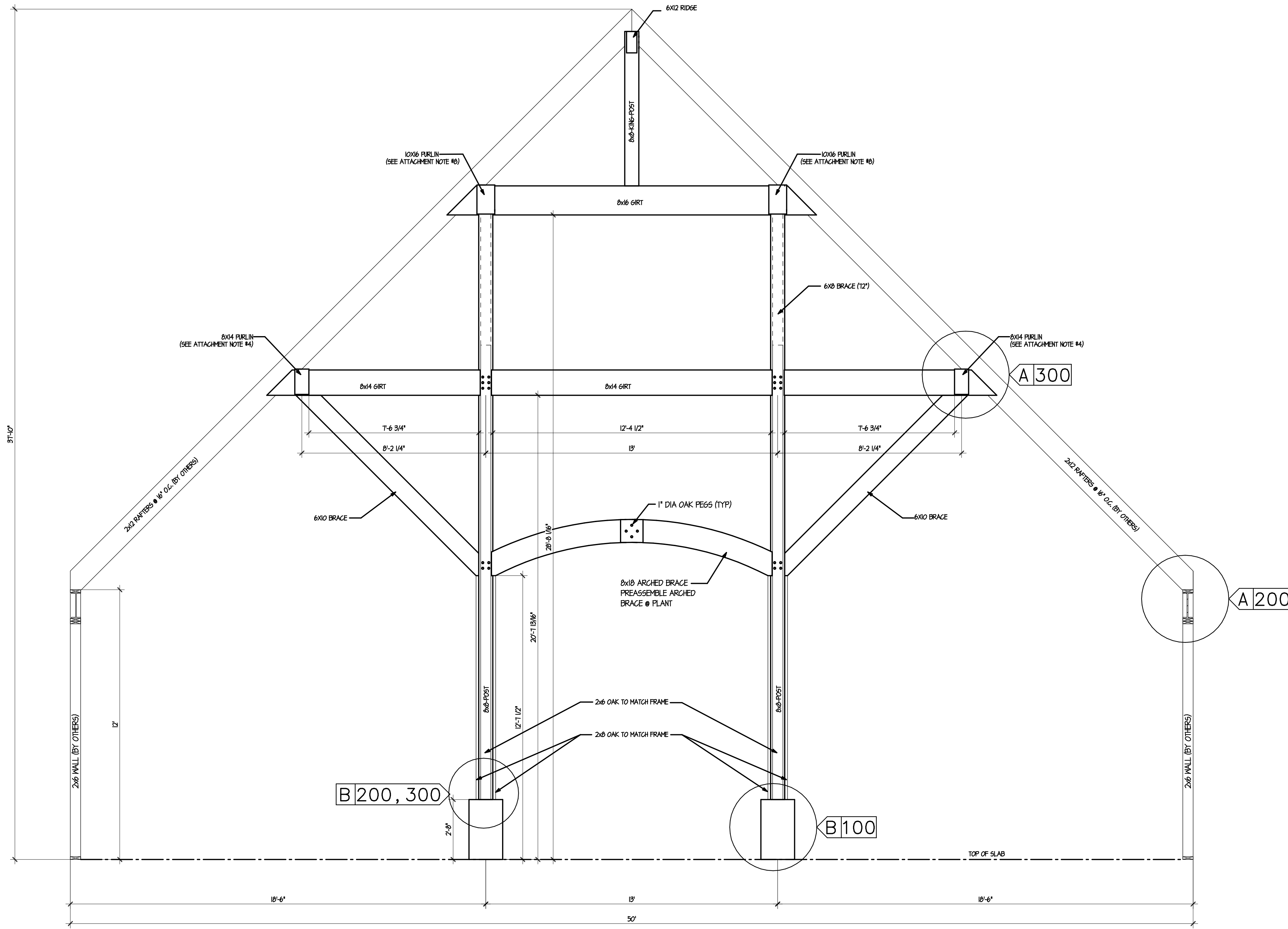


THE DESIGN REPRESENTED ON THIS PLAN IS INTENDED TO BE USED EXCLUSIVELY IN CONJUNCTION WITH THE CONSTRUCTION OF A STRUCTURE MANUFACTURED BY HEARTHSTONE, INC. AND UNDER COPYRIGHT LAW. IT MAY NOT BE USED FOR ANY OTHER PURPOSE.
© 2000 HEARTHSTONE, INC.
ALL RIGHTS RESERVED RESPECTING DESIGN AND SELECT SHOWN ON THIS PLAN

HEARTHSTONE, INC.
1630 EAST HIGHWAY 25/70
DANDRIDGE, TENNESSEE 37125
800-241-4442

CUSTOMER: FIRST MANAGEMENT/ PEOPLES BANK
LAWRENCE, KS
MODEL: CUSTOM TIMBERFRAME
TITLE: D IIII TIM. SECTION
SQUARE FOOTAGE: 3500

DATE - LAST REVISION:
08-24-00
SCALE: 3/8"=1'-0"
DATE: 6-19-2000
DRAWN BY: NMM
REVISED BY: NMM
CUSTOMER NAME: FST MGMT
SALES ORDER NO.: T256
JO ORDER NO.: 6576
HEARTHSTONE REP.: WHITE
SHEET NO.: 1



SECTION THRU BENTS 5 & 6

HANGER/FASTENER SCHEDULE

ITEM #	QUANTITY	TOTAL - 10d	TOTAL - 16d
HMB14	16	100	
HUB14	6		225
HMB14OSL (OFFSET LEFT)	6	40	
HMB14OSR (OFFSET RIGHT)	6	40	
HGLTV-SPECIAL (M=9-9/16", H=15")	16		400
HGUS-SPECIAL (M=9-9/16", H=14")	2	25	
A44	32	275	
A23	32	275	

SPECIAL ATTACHMENT NOTES
READ BEFORE ERECTING HOUSE

- FIELD LOCATE & DRILL HOLES IN POSTS FOR BRACKETING TO SLAB OR PIERS.
- ATTACH ALL HORNTISE & TENON JOINERY W/ 1" DIA. PEGS.
- ALL TIMBERFRAME TENONS ARE 2" WIDE. DEPTH DEPENDS ON THE SIZE OF HORNTISED TIMBER.
- ATTACH 6x14 PURLINS TO 6x14 GIRTS WITH A BLACK SIMPSON HMB14 TOP FLANGE HANGER (SEE SECTIONS)
- ATTACH 6x14 PURLINS TO MASONRY WALL WITH A SIMPSON HMB14 FACE MOUNT HANGER (SEE SECTIONS)
- ATTACH 6x14 PLATES TO 6x10 GIRTS @ BENTS 1, 2, & 3 WITH A BLACK SIMPSON HMB40SL OR HMB40SR TOP FLANGE HANGERS
- ATTACHMENT OF 2x12 RAFTERS TO FRAME ARE THE RESPONSIBILITY OF THE OWNER/CONTRACTOR.
- ATTACH 10x16 PURLINS FROM 6x6 GIRTS WITH A BLACK SIMPSON HGLTV-SPECIAL TOP FLANGE HANGER (SEE SECTIONS)
- ATTACH 10x16 PURLINS TO MASONRY WALL WITH A SIMPSON HGUS-SPECIAL FACE MOUNT HANGER (SEE SECTIONS)
- ATTACH 4x12 OAK RAFTERS TO 6x14 PURLIN W/ SIMPSON A44 PLATE AT THE TOP PURLIN & SIMPSON A23 AT BOTTOM PURLIN

- PRODUCTION NOTES:
- TIMBER FRAME-OAK MATERIAL
 - PLANED & CHAMFER ALL MATERIAL

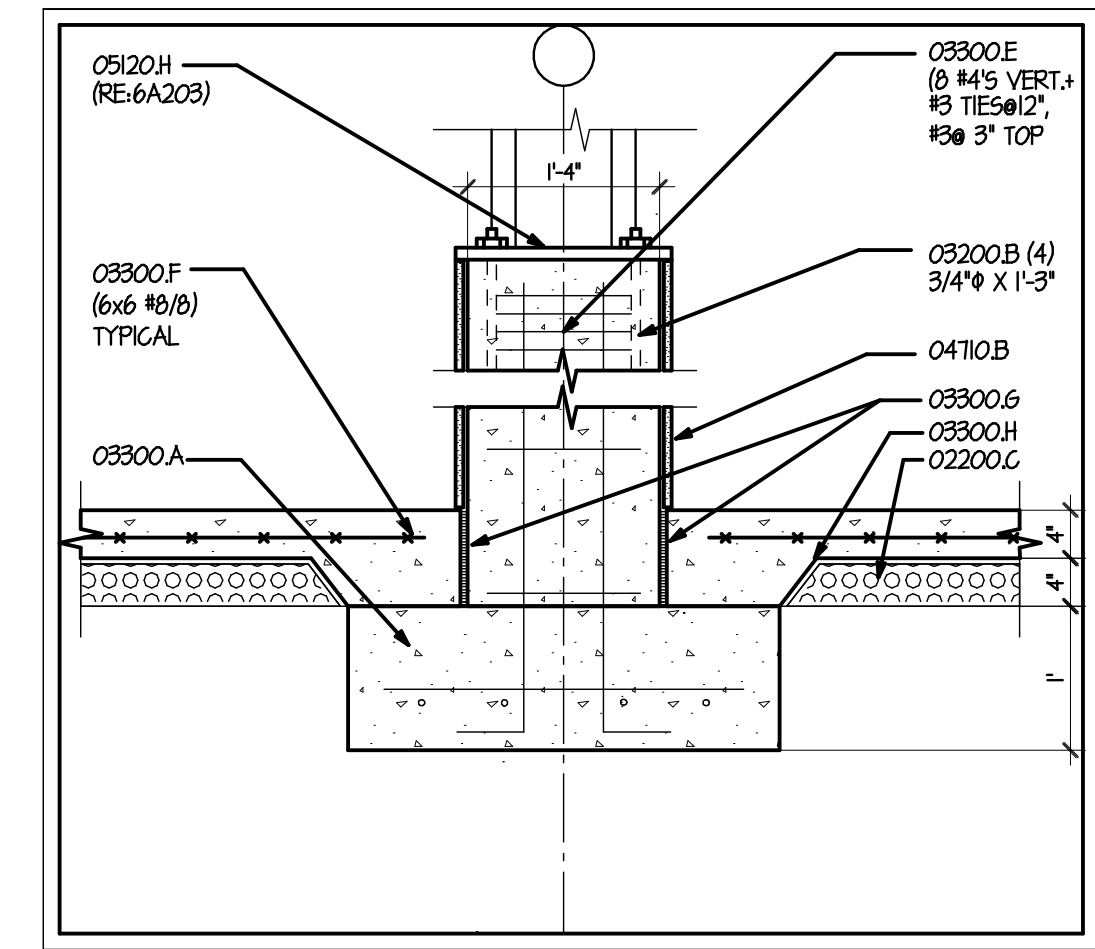
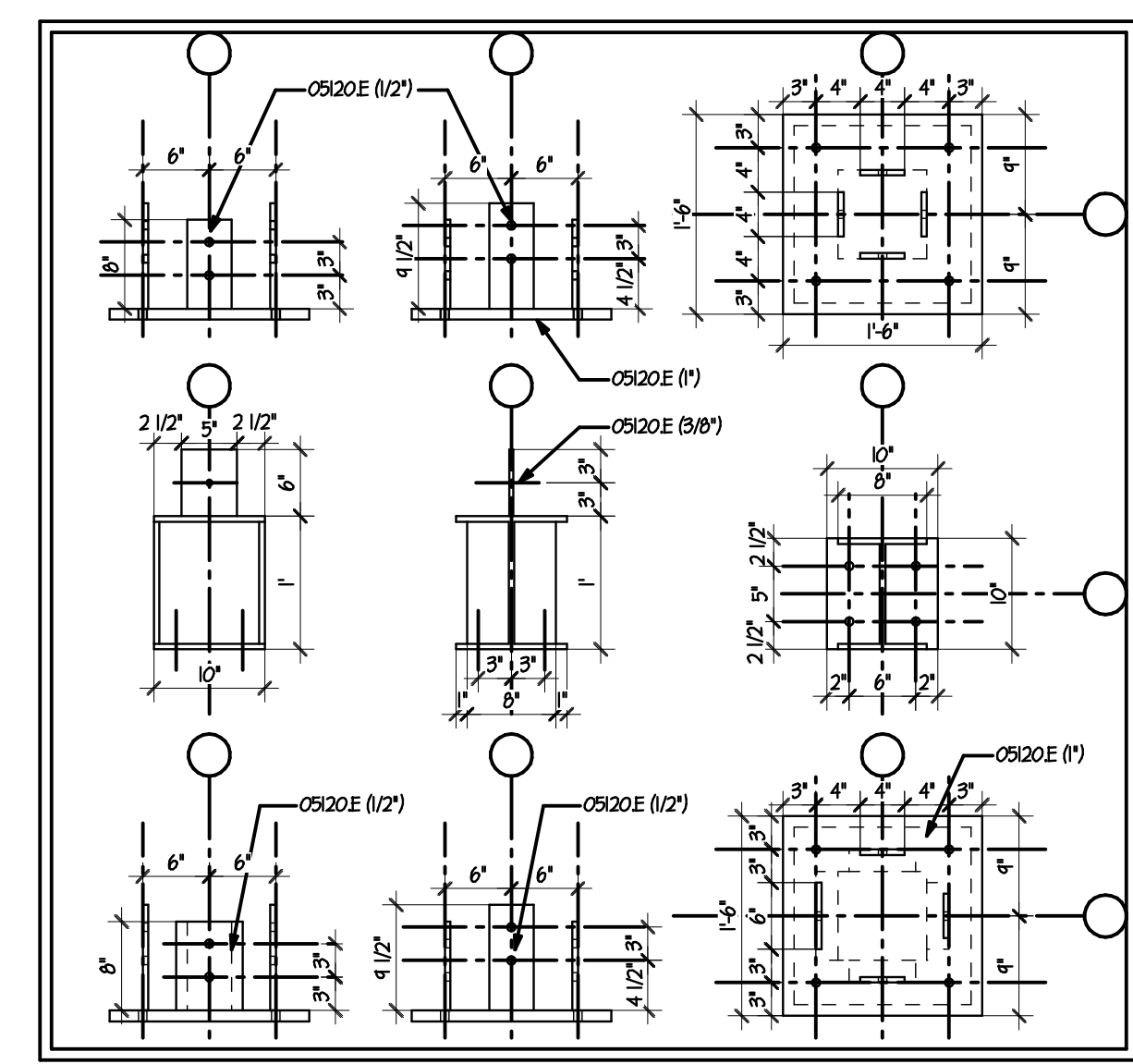
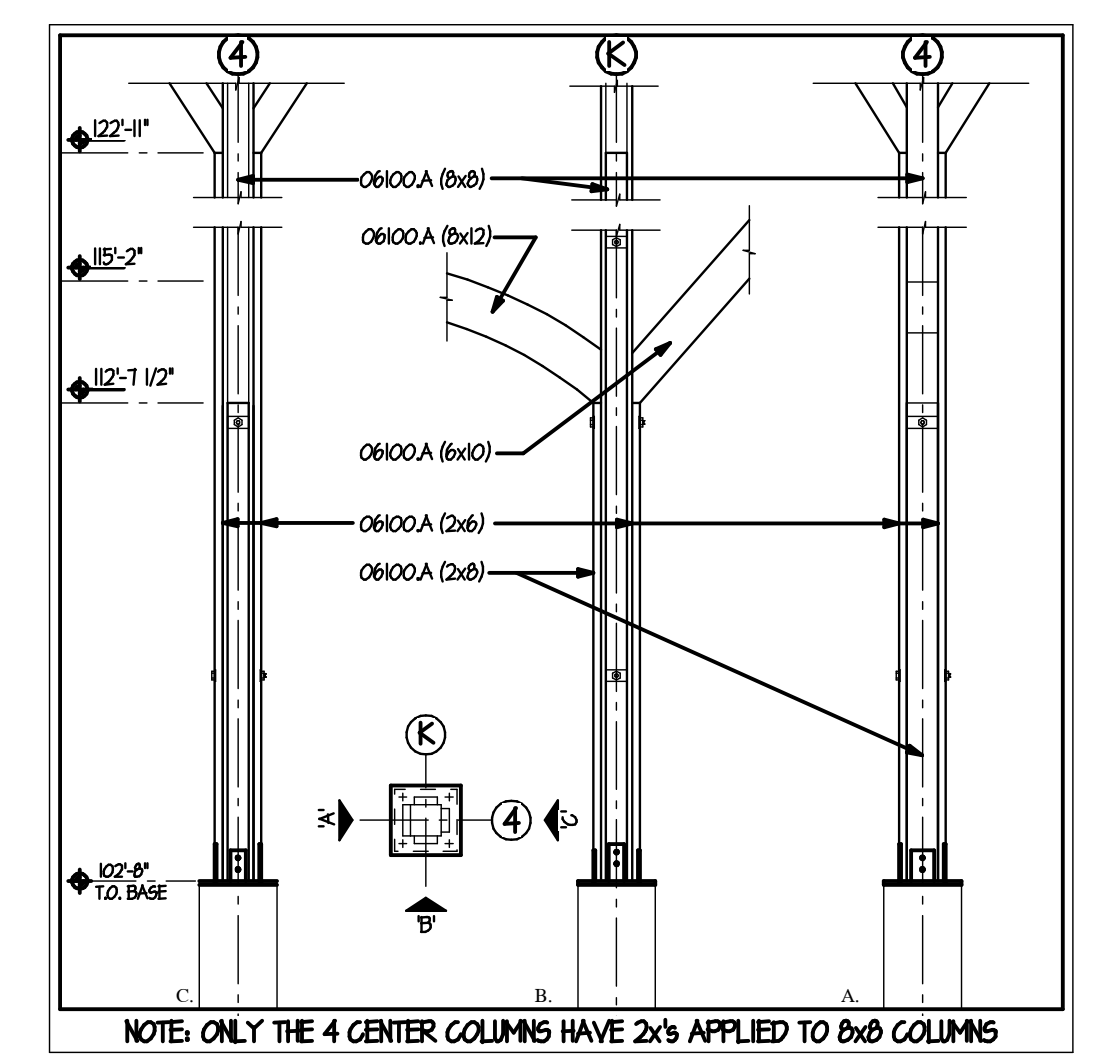


FIG. 9 INTERIOR COLUMN
(SAME AS DETAIL 35101 PROVIDED BY TREANOR ARCHITECTS)
SCALE: 3/4"=1'-0" DETAIL B:100



BASE PLATE DETAILS
(SAME AS DETAIL 6A203 PROVIDED BY TREANOR ARCHITECTS)
SCALE: 3/4"=1'-0" DETAIL B:200



COLUMN DETAILS
SCALE: 1/4"=1'-0" DETAIL B:300

THE DESIGN REPRESENTED ON THIS PLAN IS INTENDED TO BE USED EXCLUSIVELY IN CONJUNCTION WITH THE CONSTRUCTION OF A STRUCTURE MANUFACTURED BY HEARTHSTONE, INC. AND UNDER COPYRIGHT LAW. MAY NOT BE USED FOR ANY OTHER PURPOSE.

© 2000 HEARTHSTONE, INC.
ALL RIGHTS RESERVED RESPECTING DESIGN AND SELECT SHOWN ON THIS PLAN

HEARTHSTONE, INC.
1630 EAST HIGHWAY 2570
DANDRIDGE, TENNESSEE 37125
800-247-4442

CUSTOMER: FIRST MANAGEMENT/ PEOPLES BANK
LAWRENCE, KS
MODEL: CUSTOM TIMBERFRAME
TITLE: D111 D.M.V. RESTAURANT

SQUARE FOOTAGE: 3500

DATE - LAST REVISION:
08-24-00

SCALE: 3/8"=1'-0"

DATE: 6-19-2000

DRAWN BY: MHH

REVISED BY: MHH

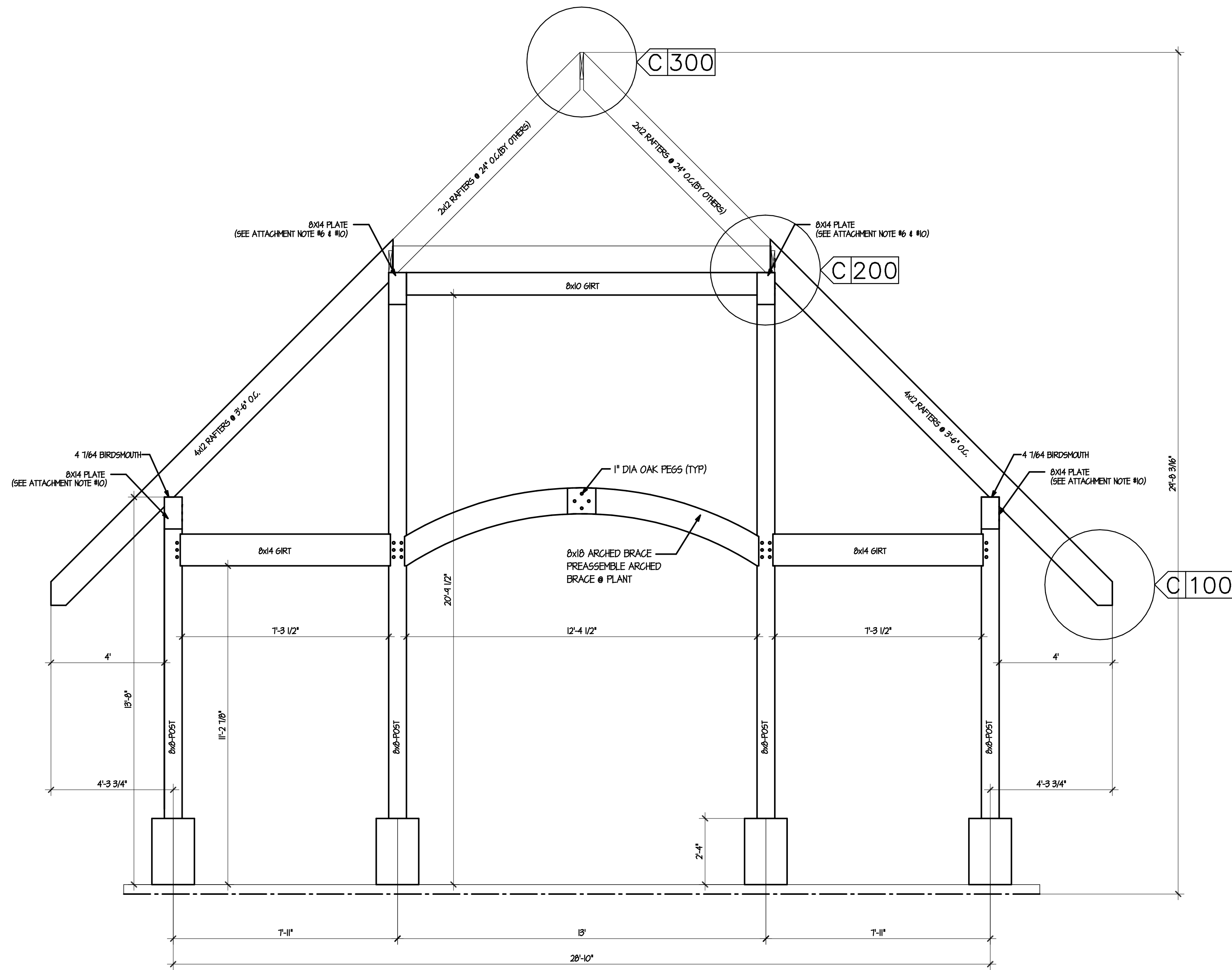
CUSTOMER NAME: FST MGMT

SALES ORDER NO.: T256

JO ORDER NO.: 6576

HEARTHSTONE REF.: WHITE

SHEET NO.: 2



SECTION THRU BENTS 1, 2 & 3

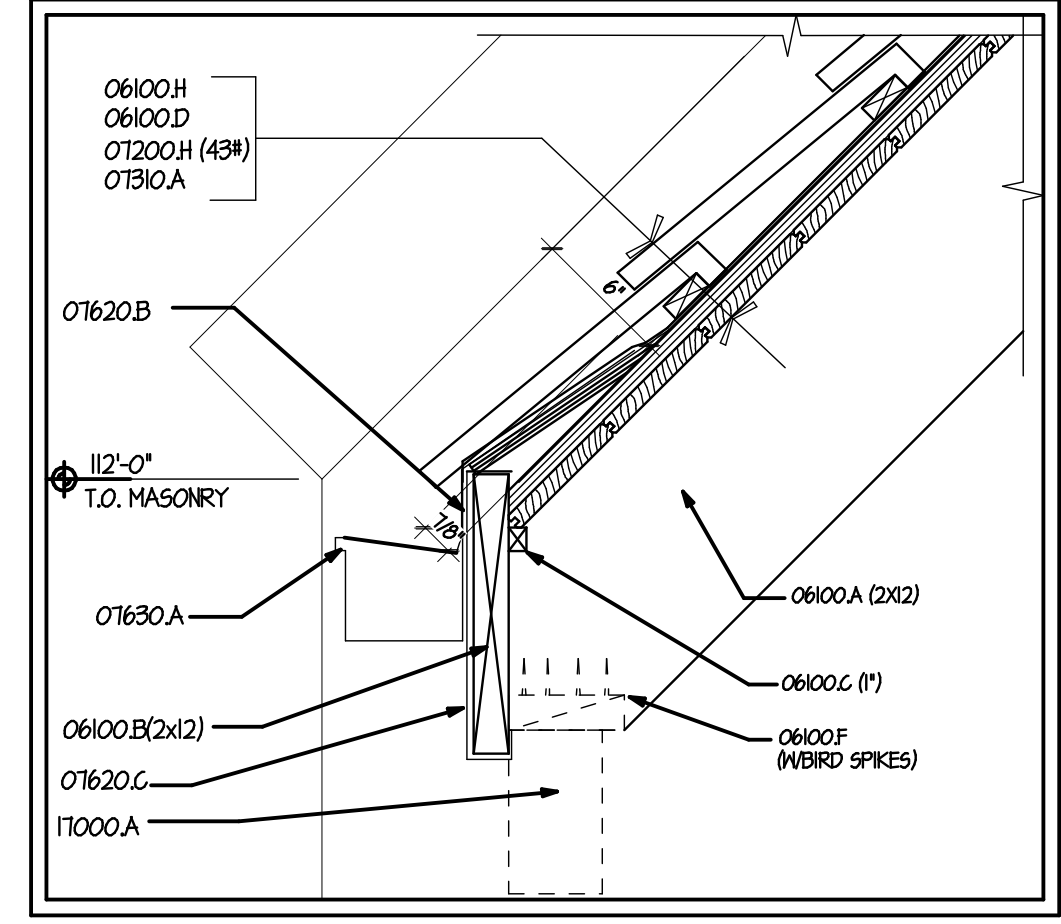
HANGER/FASTENER SCHEDULE

ITEM #	QUANTITY	TOTAL - 10d	TOTAL - 16d
HMB14	16	100	
HUB14	6		225
HMB14OSL (OFFSET LEFT)	6	40	
HMB14OSR (OFFSET RIGHT)	6	40	
HGLTY-SPECIAL (M=9-1/16", H=15")	16		400
HGUS-SPECIAL (M=9-1/16", H=14")	2	25	
A44	32	215	
A23	32	215	

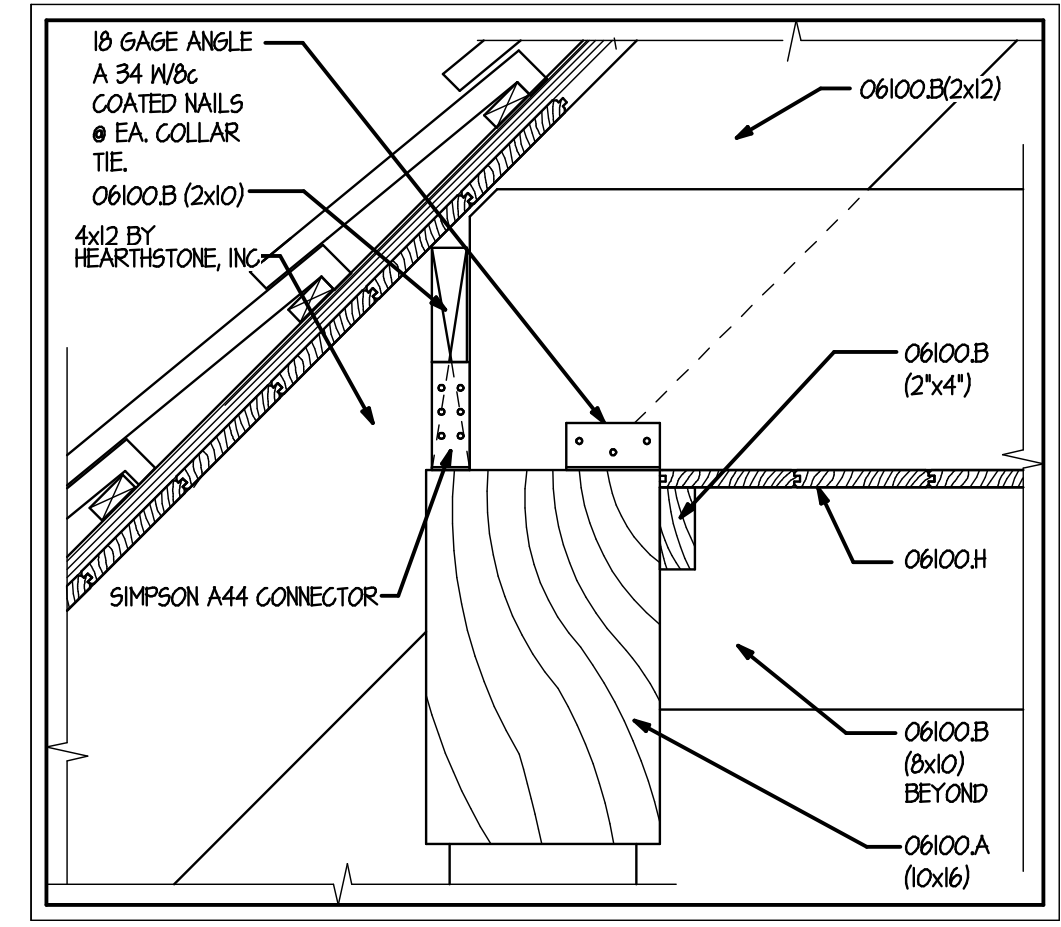
SPECIAL ATTACHMENT NOTES

- READ BEFORE ERECTING HOUSE
- FIELD LOCATE 4 DRILL HOLES IN POSTS FOR BRACKETING TO SLAB OR PIERS.
 - ATTACH ALL MORTISE & TENON JOINERY W/ 1" DIA. PEGS.
 - ALL TIMBERFRAME TENONS ARE 2" WIDE, DEPTH DEPENDS ON THE SIZE OF MORTISED TIMBER.
 - ATTACH 8x14 PURLIN TO 8x14 GIRTS WITH A BLACK SIMPSON HMB14 TOP FLANGE HANGER (SEE SECTIONS)
 - ATTACH 8x14 PURLIN TO MASONRY WALL WITH A SIMPSON HUB14 FACE MOUNT HANGER (SEE SECTIONS)
 - ATTACH 8x14 PLATES TO 8x10 GIRTS @ BENTS 1, 2, 4, 3 WITH A BLACK SIMPSON HMB14OSL OR HMB14OSR TOP FLANGE HANGERS
 - ATTACHMENT OF 2x12 RAFTERS TO FRAME ARE THE RESPONSIBILITY OF THE OWNER/CONTRACTOR.
 - ATTACH 12x16 PURLIN FROM 8x16 GIRTS WITH A BLACK SIMPSON HGLTY-SPECIAL TOP FLANGE HANGER (SEE SECTIONS)
 - ATTACH 12x16 PURLIN TO MASONRY WALL WITH A SIMPSON HGUS-SPECIAL FACE MOUNT HANGER (SEE SECTIONS)
 - ATTACH 4x12 OAK RAFTERS TO 8x14 PURLIN W/ SIMPSON A44 PLATE AT THE TOP PURLIN & SIMPSON A23 AT BOTTOM PURLIN

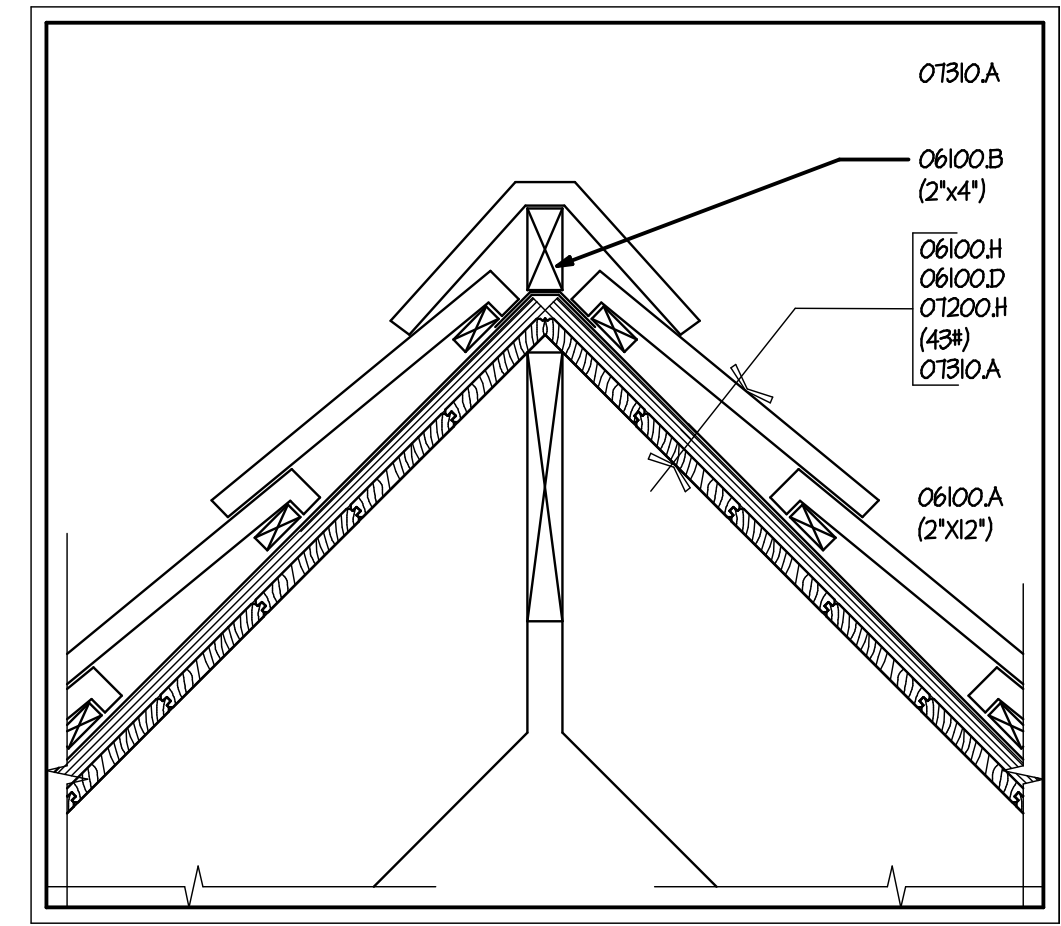
- PRODUCTION NOTES:
- TIMBER FRAME-OAK MATERIAL
 - PLANED & CHAMFER ALL MATERIAL



EXTERIOR EYE DETAIL
(SAME AS DETAIL 9A201 PROVIDED BY TREANOR ARCHITECTS)
SCALE: 3/4"=1'-0" DETAIL C:100



EXTERIOR PURLIN DETAIL
(SAME AS DETAIL 8A201 PROVIDED BY TREANOR ARCHITECTS)
SCALE: 3/4"=1'-0" DETAIL C:200



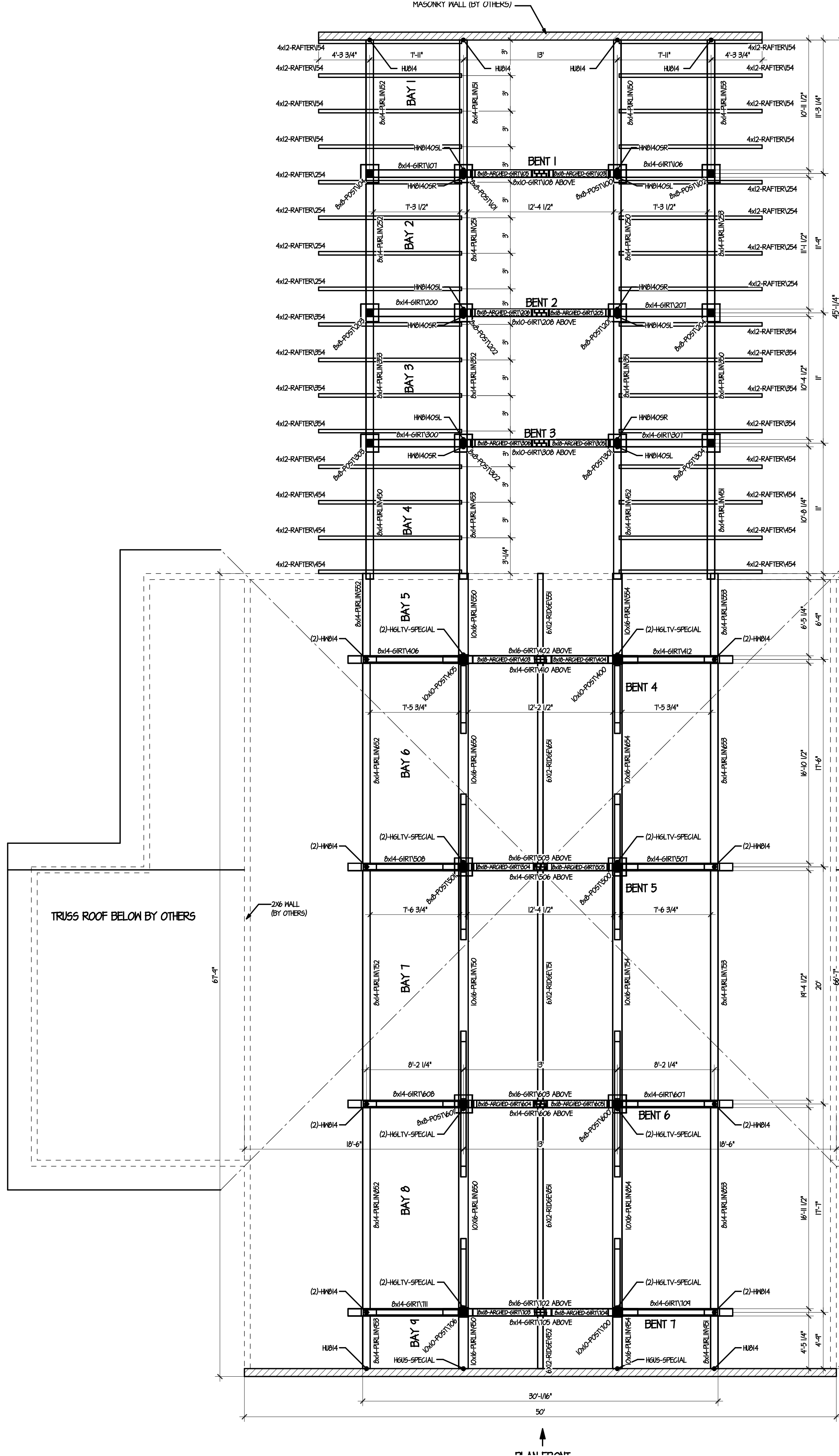
EXTERIOR RIDGE DETAIL
(SAME AS DETAIL 1A201 PROVIDED BY TREANOR ARCHITECTS)
SCALE: 3/4"=1'-0" DETAIL C:200

THE DESIGN REPRESENTED ON THIS PLAN IS INTENDED TO BE USED EXCLUSIVELY IN CONJUNCTION WITH THE CONSTRUCTION OF A STRUCTURE MANUFACTURED BY HEARTHSTONE, INC. AND UNDER COPYRIGHT LAW. MAY NOT BE USED FOR ANY OTHER PURPOSE.
© 2000 HEARTHSTONE, INC. ALL RIGHTS RESERVED RESPECTING DESIGN AND SELECT SHOWN ON THIS PLAN

HEARTHSTONE, INC.
1630 EAST HIGHWAY 2570
DANDRIDGE, TENNESSEE 37125
800-247-4442

CUSTOMER: FIRST MANAGEMENT/ PEOPLES BANK
LAWRENCE, KS
MODEL: CUSTOM TIMBERFRAME
TITLE: DIII FIN. RESTAURANT
SQUARE FOOTAGE: 3500

DATE - LAST REVISION:
08-24-00
SCALE: 3/8"=1'-0"
DATE: 6-19-2000
DRAWN BY: NMM
REVISED BY: NMM
CUSTOMER NAME: FST MGMT
SALES ORDER NO: 1256
JO ORDER NO: 6576
HEARTHSTONE REP: WHITE
SHEET NO: 3



SPECIAL ATTACHMENT NOTES
READ BEFORE ERECTING HOUSE

1. FIELD LOCATE & DRILL HOLES IN POSTS FOR BRACKETING TO SLAB OR PIERS.
2. ATTACH ALL MORTISE & TENON JOINTS W/ 1" DIA. PEGS.
3. ALL TIMBERFRAME TENONS ARE 2" WIDE, DEPTH DEPENDS ON THE SIZE OF MORTISED TIMBER.
4. ATTACH 2x4 PURLINS TO 2x6 GIRTS WITH A BLACK SIMPSON HM814 TOP FLANGE HANGER (SEE SECTIONS)
5. ATTACH 2x4 PURLINS TO MASONRY WALL WITH A SIMPSON HM814 FACE MOUNT HANGER (SEE SECTIONS)
6. ATTACH 2x4 PLATES TO 2x6 GIRTS @ BENTS 1, 2, 3 WITH A BLACK SIMPSON HM814SR OR HM814SR TOP FLANGE HANGERS
7. ATTACHMENT OF 2x4 RAFTERS TO FRAME ARE THE RESPONSIBILITY OF THE OWNER/CONTRACTOR.
8. ATTACH 1x6 PURLING FROM 2x6 GIRTS WITH A BLACK SIMPSON HLTV-SPECIAL TOP FLANGE HANGER (SEE SECTIONS)
9. ATTACH 1x6 PURLING TO MASONRY WALL WITH A SIMPSON HGUS-SPECIAL FACE MOUNT HANGER (SEE SECTIONS)
10. ATTACH 4x12 OAK RAFTERS TO 2x4 PURLIN W/ SIMPSON A44 PLATE AT THE TOP PURLIN & SIMPSON A23 AT BOTTOM PURLIN

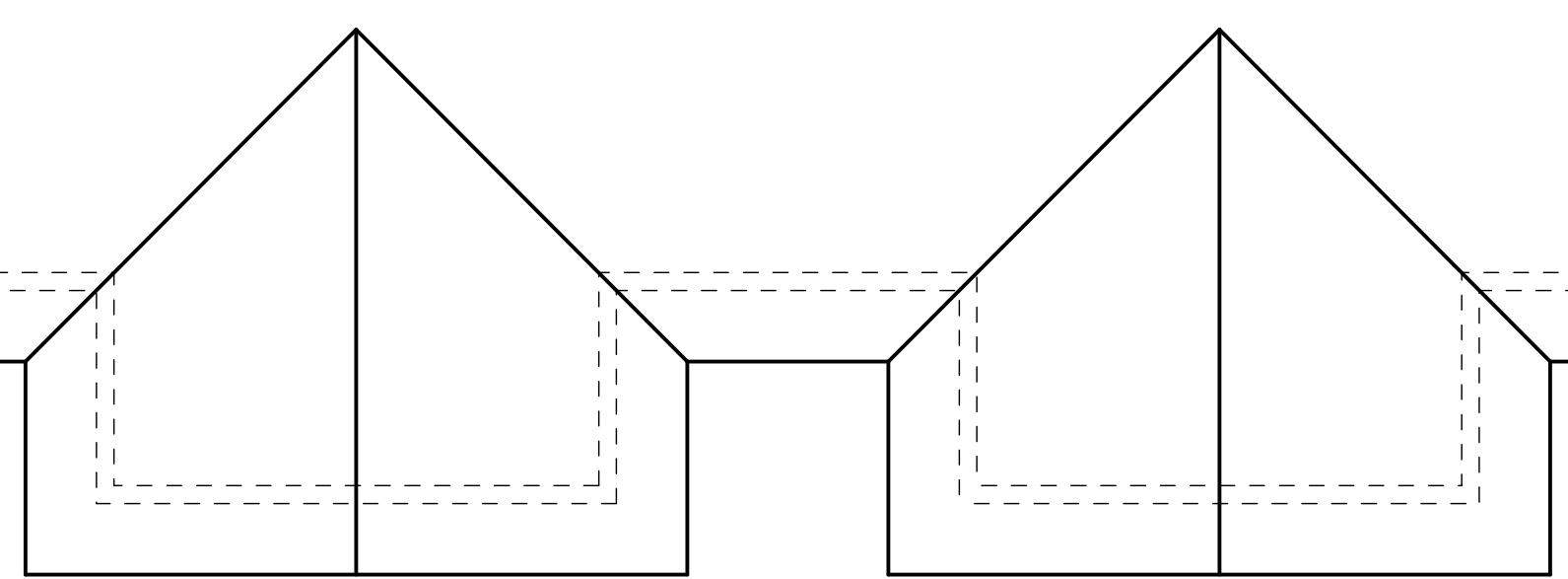
PRODUCTION NOTES:

1. TIMBER FRAME-OAK MATERIAL
2. PLANED & CHAMFER ALL MATERIAL

NOTE: SEE PLANS PROVIDED BY TRENOR ARCHITECTS FOR ALL FLOOR PLANS, FOUNDATION PLANS, AND ELEVATIONS

NOTE: PREASSEMBLE ALL ARCHED BRACES @ PLANT AND CHECK INSIDE, OVERALL & ALL OTHER DIMENSIONS.

TRUSS ROOF BELOW BY OTHERS



HANGER/FASTENER SCHEDULE

ITEM #	QUANTITY	TOTAL - 10d	TOTAL - 16d
HM814	16	100	225
HM814OSL (OFFSET LEFT)	6	40	
HM814OSR (OFFSET RIGHT)	6	40	
HLTV-SPECIAL (H=9-9/16", H=15")	16		400
HGUS-SPECIAL (H=9-9/16", H=14")	2	25	
A44	32	275	
A23	32	275	

THE DESIGN REPRESENTED ON THIS PLAN IS INTENDED TO BE USED EXCLUSIVELY IN CONJUNCTION WITH THE CONSTRUCTION OF A STRUCTURE MANUFACTURED BY HEARTHSTONE, INC. AND UNDER COPYRIGHT LAW. MAY NOT BE USED FOR ANY OTHER PURPOSE.

© 2000 HEARTHSTONE, INC.
ALL RIGHTS RESERVED RESPECTING DESIGN AND SELECT SHOWN ON THIS PLAN

HEARTHSTONE, INC.

1630 EAST HIGHWAY 2570
DANDRIDGE, TENNESSEE 37125
800-247-4442

CUSTOMER: **FIRST MANAGEMENT/ PEOPLES BANK**

LAWRENCE, KS

MODEL: **CUSTOM TIMBERFRAME** SQUARE FOOTAGE: **3500**

EDD A.A.M./C. D. A.M.I.

DATE - LAST REVISION:
08-24-00

SCALE: 3/16"=1'-0"

DATE: 6-19-2000

DRAWN BY: NMM

REVISED BY: NMM

CUSTOMER NAME: FST MGMT

SALES ORDER NO. 1256

JO ORDER NO. 6576

HEARTHSTONE REP. WHITE

SHEET NO: 4

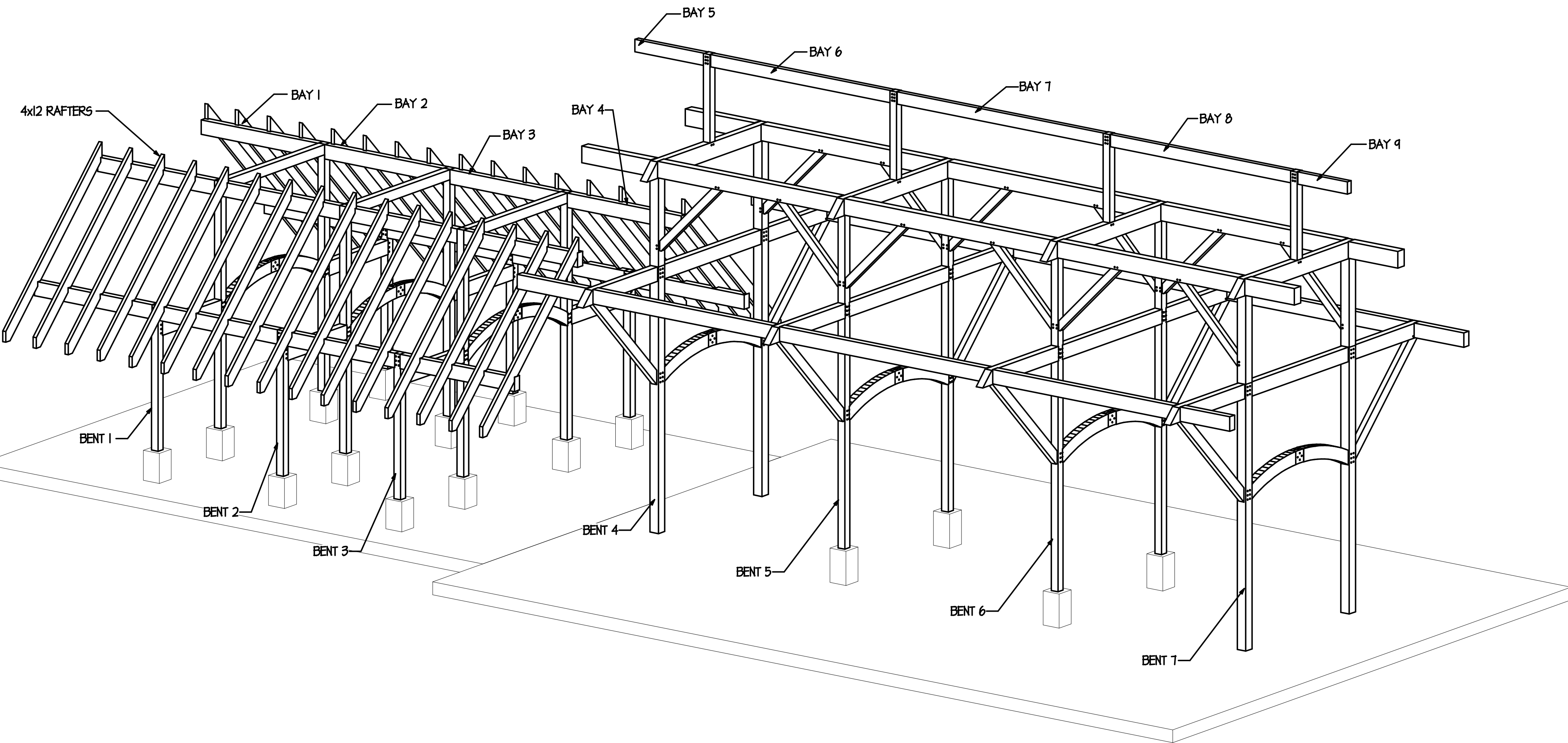
THE DESIGN REPRESENTED ON THIS PLAN IS INTENDED TO BE USED EXCLUSIVELY IN CONNECTION WITH THE CONSTRUCTION OF A STRUCTURE MANUFACTURED BY HEARTHSTONE, INC. AND UNDER COPYRIGHT LAW. MAY NOT BE USED FOR ANY OTHER PURPOSE.

© 2000 HEARTHSTONE, INC.
ALL RIGHTS RESERVED RESPECTING DESIGN AND SUBJECT SHOWN ON THIS PLAN

HEARTHSTONE, INC.
1630 EAST HIGHWAY 2570
DANDRIDGE, TENNESSEE 37125
800-247-4442

CUSTOMER: **FIRST MANAGEMENT/ PEOPLES BANK**
LAWRENCE, KS
MODEL: **CUSTOM TIMBERFRAME**
TITLE:
SQUARE FOOTAGE: **3500**
EPT NAME: **10.04.02.01.01.C**

DATE - LAST REVISION:
08-24-00
SCALE: 3/8"=1'-0"
DATE: 6-19-2000
DRAWN BY: NMM
REVISED BY: NMM
CUSTOMER NAME: FST MGMT
SALES ORDER NO: 1256
JO ORDER NO: 6376
HEARTHSTONE REP: WHITE
SHEET NO: 5



SPECIAL ATTACHMENT NOTES
READ BEFORE ERECTING HOUSE

1. FIELD LOCATE & DRILL HOLES IN POSTS FOR BRACKETING TO SLAB OR PIERS.
2. ATTACH ALL MORTISE & TENON JOINERY W/ 1" DIA. PEGS.
3. ALL TIMBERFRAME TENONS ARE 2" WIDE, DEPTH DEPENDS ON THE SIZE OF MORTISED TIMBER.
4. ATTACH 2x4 PURLIN TO 2x6 GIRTS WITH A BLACK SIMPSON HMB14 TOP FLANGE HANGER (SEE SECTIONS)
5. ATTACH 2x4 PURLIN TO MASONRY WALL WITH A SIMPSON HMB14 FACE MOUNT HANGER (SEE SECTIONS)
6. ATTACH 2x4 PLATES TO 2x6 GIRTS @ BENTS 1, 2, 4 & 3 WITH A BLACK SIMPSON HMB40SL OR HMB40SR TOP FLANGE HANGERS
7. ATTACHMENT OF 2x2 RAFTERS TO FRAME ARE THE RESPONSIBILITY OF THE OWNER/CONTRACTOR.
8. ATTACH 10x6 PURLIN FROM 2x6 GIRTS WITH A BLACK SIMPSON HGLTV-SPECIAL TOP FLANGE HANGER (SEE SECTIONS)
9. ATTACH 10x6 PURLIN TO MASONRY WALL WITH A SIMPSON H6U5-SPECIAL FACE MOUNT HANGER (SEE SECTIONS)
10. ATTACH 4x2 OAK RAFTERS TO 2x4 PURLIN W/ SIMPSON A44 PLATE AT THE TOP PURLIN & SIMPSON A23 AT BOTTOM PURLIN

- PRODUCTION NOTES:**
1. TIMBER FRAME-OAK MATERIAL
 2. PLANED & CHAMFER ALL MATERIAL

NOTE: SEE PLANS PROVIDED BY TRENOR ARCHITECTS FOR ALL FLOOR PLANS, FOUNDATION PLANS, AND ELEVATIONS

HANGER/FASTENER SCHEDULE

ITEM #	QUANTITY	TOTAL - 10d	TOTAL - 16d
HMB14	16	100	
HMB14	6		225
HMB140SL (OFFSET LEFT)	6	40	
HMB140SR (OFFSET RIGHT)	6	40	
HGLTV-SPECIAL (M=9-9/16", H=15")	16		400
H6U5-SPECIAL (M=9-9/16", H=14")	2	25	
A44	32	275	
A23	32	275	

